



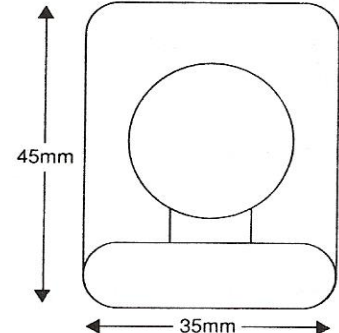
The Independent State of Papua New Guinea Application for a Travel Document

(Passport Act of 1982)

Instructions for completing this Application form

Applications should be completed at least 3 weeks before applicant intends leaving Papua New Guinea.

1. **WHERE TO APPLY:** Applications for PNG Travel Documents should be lodged with the Immigration and Citizenship Division, P.O. Box 422 Waigani, Port Moresby or with the Collector of Customs at the various ports. A SEPARATE APPLICATION MUST BE COMPLETED BY EACH PERSON.
2. **FEE:** The fee for a passport is K30. This must be paid at your nearest cash office and a receipt thereof must be attached to your application.
3. **COLLECTION OF PASSPORT:** Agents may not collect passports on behalf of clients. Your passport will be forwarded by registered post unless you elect to collect it personally.
4. **CHANGE OF NAME:** If you have changed your name please provide details of all previous names used.
5. **PREVIOUS TRAVEL DOCUMENTS:** You must attach your previous travel document unless it has been lost, stolen or destroyed.
6. **EVIDENCE OF CITIZENSHIP:** Your application should be accompanied by evidence of your citizenship. Attachment 'A' on page 4 should be completed in this respect. Your birth certificate or citizenship certificate, and in the case of married women your marriage certificate, should be submitted.
7. **CERTIFICATE REGARDING APPLICANT:** The certificate on page 3 in respect of every application must be completed. The following persons are authorised to furnish this certificate: Lawyers, Medical Practitioners, Magistrates, Ministers of Religion, Commissioner of Oaths, Commissioned Officers of the Defence Force and Police Force. The person completing the certificates must have known the applicant for at least three years. It is essential that the person who signed the Certificate Regarding Applicant on page 3 should also endorse the back of one photograph as follows:
 'I certify this to be a genuine photograph of (name in full)', and sign.
8. **CONSENT OF PARENTS:** Applicants under 17 years of age must furnish the consent of their parents or legal guardians on page 2.
9. **PHOTOGRAPHS:** With your application you should submit two recent photographs. These should be head and shoulders only, taken 'Full Face' without hat or tinted glasses and with a light coloured background. All photographs should be within the dimensions of 35mm x 45mm. It is essential that the person who signed the Certificate Regarding Applicant on page 3 should also endorse the back of one photograph as follows:
 'I certify this to be a genuine photograph of (name in full)', and sign.
10. **DECLARATION:** The Declaration on page 3 must be signed by the applicant, or in the case of a child unable to sign, by the lodging parent or legal guardian.



11. SIGNATURE

- The applicant must sign **both** of the small signature labels using a ball-point pen. Please take care to stay within the borders marked.
- If the applicant is unable to sign, put a line through **both** of the small signature labels.

UNABLE TO SIGN

SIGNATURE LABELS

1. Type of Travel Document

Standard Passport

Official Passport

Certificate of Identity

Diplomatic Passport

Emergency Travel Document

2. Applicant's Name

Family name

Given names

3. Sex

Male Female

4. Has Applicant ever changed his/her name?

Yes No

If Yes, state previous names here

5. Birth Place and Date

Village

Town

Province

Country

Date of birth
/ /

6. Personal Particulars

Height
cm

Colour of hair

Colour of eyes

Visual distinguishing marks

Occupation

7. Marital Status (tick whichever applies)

Single Married Widow Divorced

If Married, name of husband/wife

8. Address and Telephone

Residential

Telephone

Correspondence

Telephone

If Applicant is under 17 years of age, please provide consent to the application.

9. Consent of Lodging Parent or Legal Guardian

I, the father / mother / legal guardian (*delete whichever not applicable*) hereby give my consent to the applicant above being issued with a passport.

Signed Date Signature of Witness Date

Consent of Other Parent or Legal Guardian

I, the father / mother / legal guardian (*delete whichever not applicable*) hereby give my consent to the applicant above being issued with a passport.

Signed Date Signature of Witness Date

10. Proposed Departure Details

Vessel or Airline

Port or Airport

Countries proposed to visit

Date

11. Has applicant previously been issued with a Papua New Guinea Travel Document?

Yes No

Travel Document number

Issue Date / /

Expiry Date / /

Bearer's name at time of issue

12. This previous Travel Document:

Is Attached Has Been Lost Has Been Stolen Has Been Destroyed Has Been Damaged

Explain circumstances of loss/theft/other

Large empty box for explaining circumstances of loss/theft/other.

Has the loss been reported to the police?

Yes No

If Yes, to which police officer or police station was the report made?

Date of report / /

13. CERTIFICATE REGARDING APPLICANT

Warning: Persons who, in support of an applicant for a passport, make any false statements either orally or in writing render themselves liable to a fine of K400.00 or imprisonment for six months.

I, Name Occupation of Address Telephone

hereby declare that I have known personally the applicant Applicant's name

for a period of more than 3 years and that the signature and photographs on or accompanying the application are those of the applicant, to the best of my knowledge and belief the statements made by the applicant in this form are true. On the same basis, I have endorsed the back of the applicant's photograph.

No fee has been charged for this certificate.

Signature Date / /

14. DECLARATION

I, declare that the statements made in this application are true and correct in every particular.

Dated this day Signature or Mark of 19

15. Applicants who cannot read or write English

The above declaration has been read/interpreted and explained by me in language to the applicant in the presence of and the applicant appeared to understand and approve of them.

Grid of signature and personal information boxes for the witness and applicant.

